

# MGCF04S/MGCF11S series drives for MG/PG series gear pumps

The compact precision performance pumps MG or PG series are designed to fit high technology applications. The magnet drive principle provides a totally sealed pump chamber which is capable of handling a wide range of corrosive fluids with a high degree of safety. The pump housing is available in AISI 316L, SAF 2205, AISI 303 or PPS. In operation the MG and PG series pumps are noiseless, pulsation-free and capable of handling relatively high temperature liquids up to 120 °C (248 F). The coupling with the MGCF04S, MGCF11S units designed for heavy duty, provides a reliable and noiseless operation in a compact size package. The pole-to-pole alignment of the two magnets provides the driving motion to the pump. Decoupling will occur when the pump load exceeds the coupling torque between the magnets.

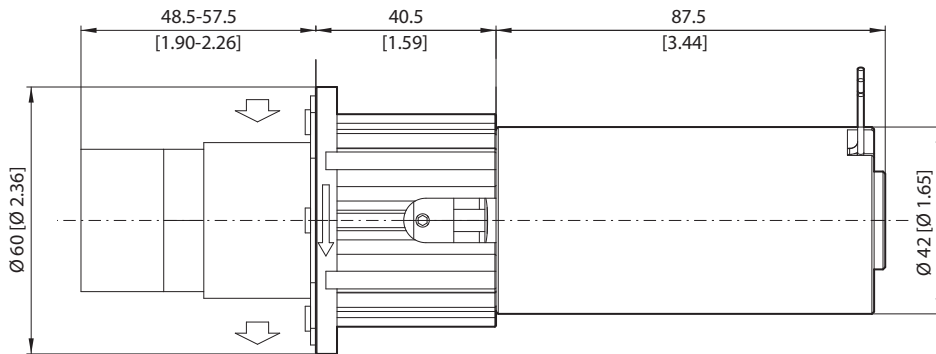


## MAIN APPLICATIONS

- Medical and surgical equipment
- Hemodialysis apparatus
- Laser apparatus
- Lubrication
- Ink-jet printing systems
- Cooling systems
- Laboratory instrumentation
- Water purification and ultra-filtration
- Sampling
- Food processing equipment
- Sanitization



### MGCF04S-MGCF11S



Dimensions in mm [inches]

POS	DESCRIPTION	FEATURES	CODE
<b>A</b>	Driving magnet	For 5 mm bore	MGAFO5S
<b>A+B</b>	Complete adapter	For KAG M42x30	MGBF42S
<b>A+B+C</b>	Complete motor assembly	See table below	MGCF04S MGCF11S

DRIVING UNIT	MGCF04S	MGCF11S
Voltage (V)	12 DC	24 DC
Rated speed (rpm)	3300	3000
Current consumption (A)	3.4	1.5
Output power (W)	25.9	23.6
Weight (g)	700	700

