

Volumetric pumps IG series

The Fluid-o-Tech® IG series positive displacement pumps have been designed to handle viscous fluids with impurities in suspension and to withstand relatively high temperatures, while delivering a smooth flow.

Precise by design, they allow accurate and repeatable performance, but also providing high pressure.

Food grade materials are available upon request.

The model comes with a flow rate ranging from 100 l/h to 1500 l/h, with 1/2" GAS ports, o-rings in Viton® and clamp mounting, thermal separation through coupling.

The max rpm are 3500.



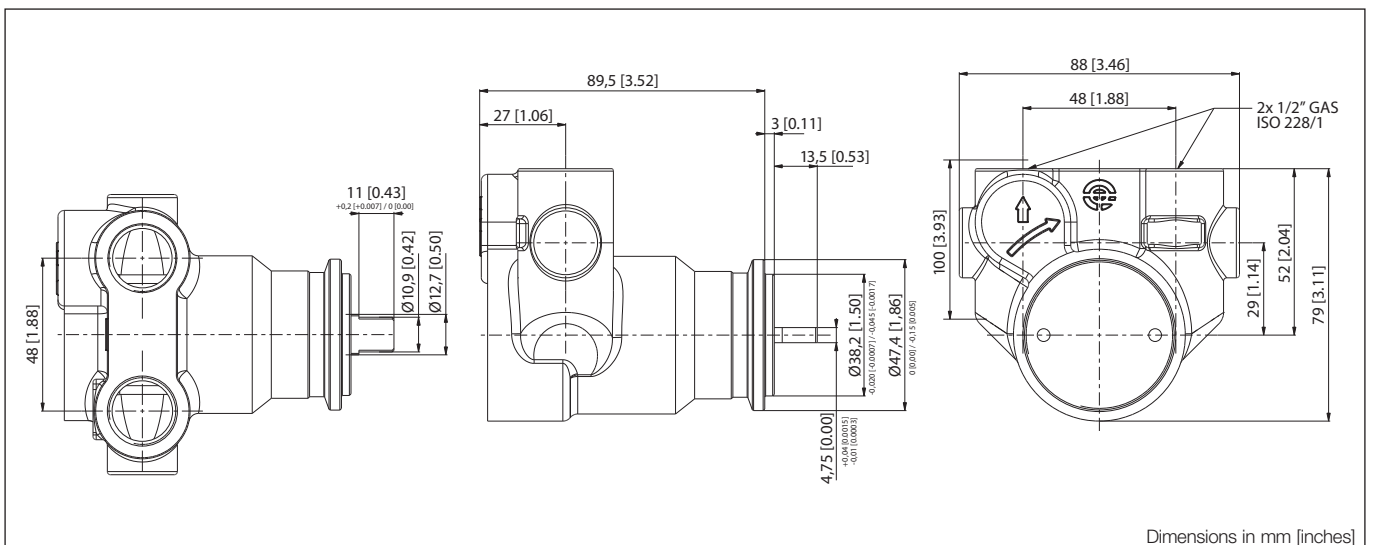
MAIN APPLICATIONS

- Fryer machines

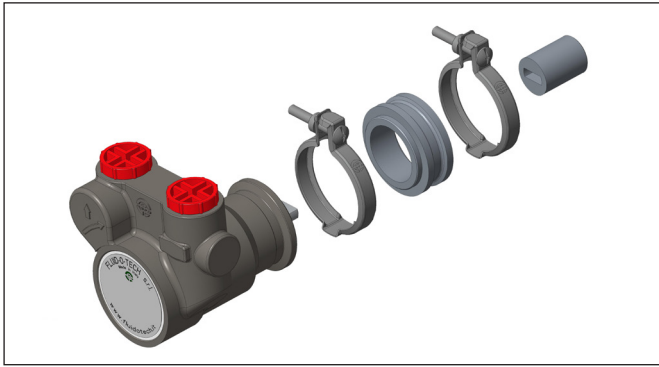
TECHNICAL INFORMATION

| | | | |
|-----------------------|----------------|---------------------------|----------------------|
| Pump housing material | Cast Iron G25 | Min/max fluid temperature | 5/200 °C - 41/392 F |
| Gears material | Distalloy AE | Wet lift* | > 6 m |
| Ports | 1/2" GAS | Speed range | from 250 to 3500 rpm |
| Max static pressure | 20 bar/290 psi | Unit weight | 1.6 Kg |

* Priming ability varies with operating conditions and fluid characteristics

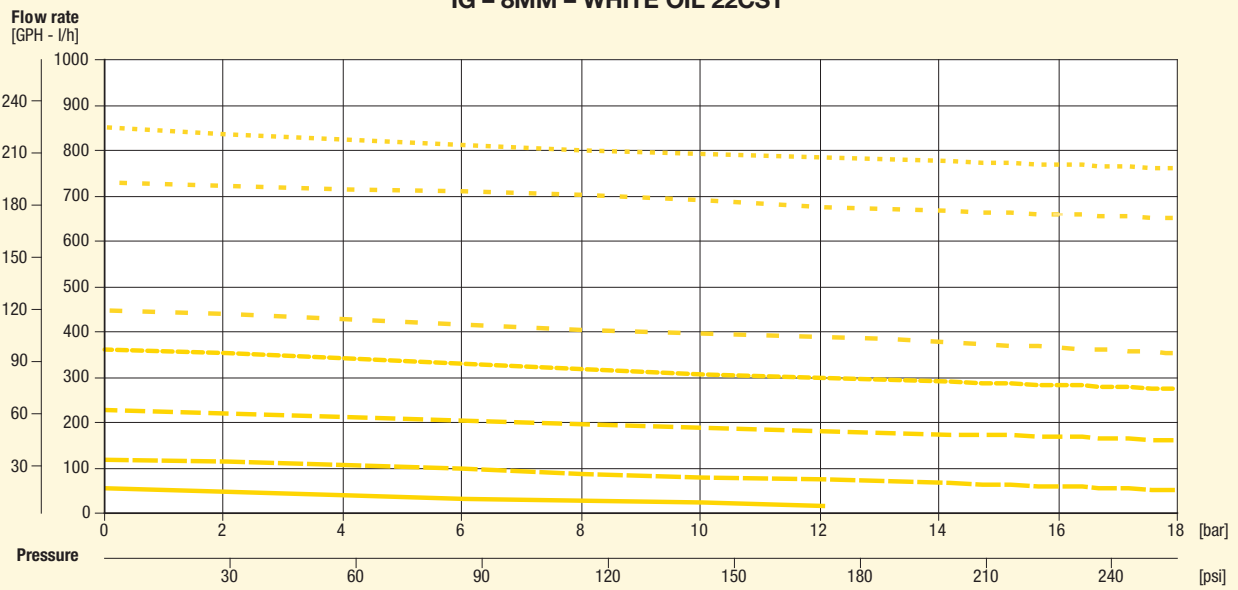


Dimensions in mm [inches]

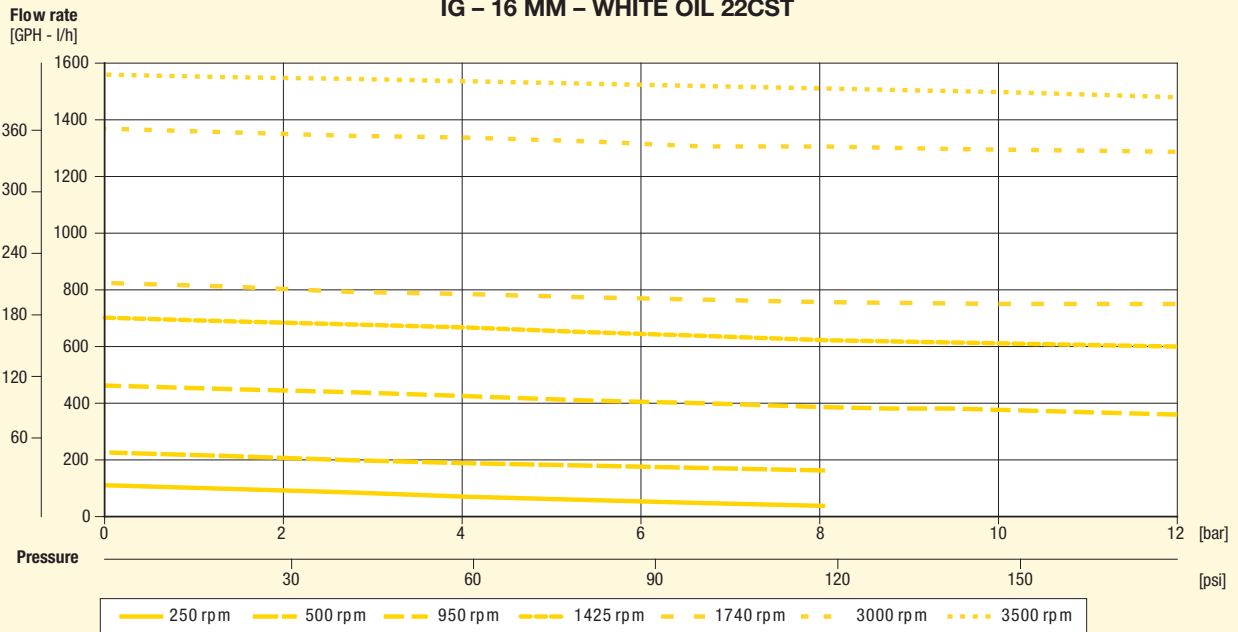


| POS | DESCRIPTION | CODE |
|-----|-------------------------------|----------|
| 1 | IG series pump | |
| 2 | High temperature spacer 48 YZ | 92-01-05 |
| 3 | Clamp | 94-80-01 |
| 4 | Heavy duty cross coupling | 91-03-10 |

IG - 8MM - WHITE OIL 22CST



IG - 16 MM - WHITE OIL 22CST



Note: curves obtained at ambient temperature. For applications involving other fluids, high temperatures or unusual processing conditions, please consult the factory or an authorized Fluid-o-Tech distributor.