

Brass and stainless steel magnet drive rotary vane pumps TH 500-1000 series

The Fluid-o-Tech® magnetic drive rotary vane pumps range widens with the introduction of the TH series which combines the larger flow rate (500 to 1000 l/h at 1450 rpm or 160 to 330 GPH at 1725 rpm) with the added benefit of the magnetic coupling:

- longer service life
- low maintenance
- smooth transmission
- totally sealed body
- less power consumption

The rare earths magnet grants high performance and perfect alignment between the pump and the motor, extending the life of the unit. The absence of friction, usually caused by the rotation of the mechanical seal against the ceramic seat, allows a more efficient operation and therefore a low power consumption. The Rotoflow® TH series pumps offer multiple options to configure the product to the specific need of each customer. The housing is available in AISI 303 or brass. The internal components include AISI 303 rotor, carbon graphite pumping chamber and NBR seals. Maximum operative temperature: 70 °C (158 F).

Available upon request:

- Built-in relief valve
- Viton®/EPDM seals

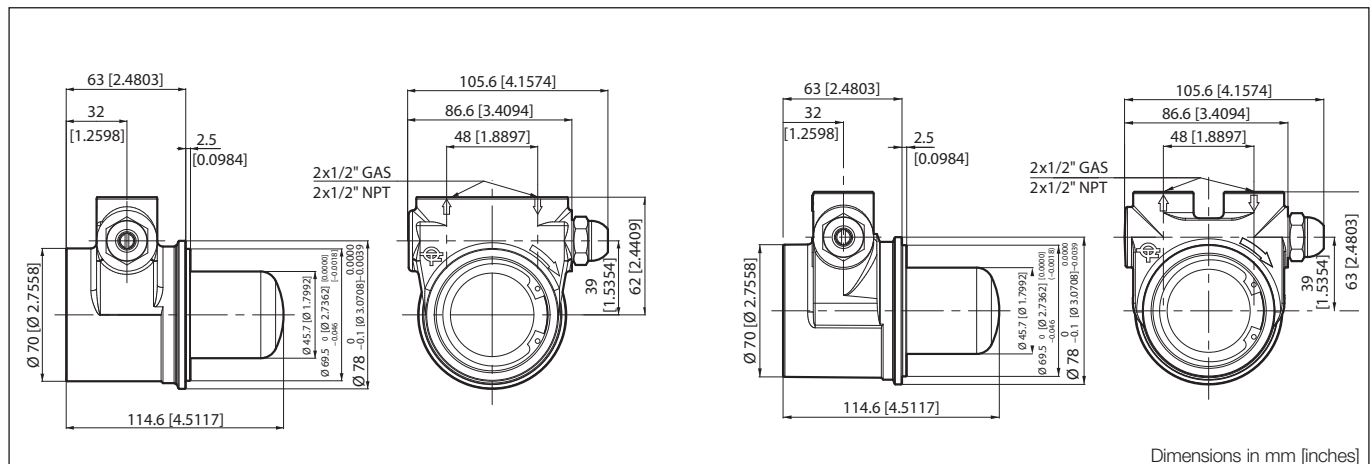


MAIN APPLICATIONS

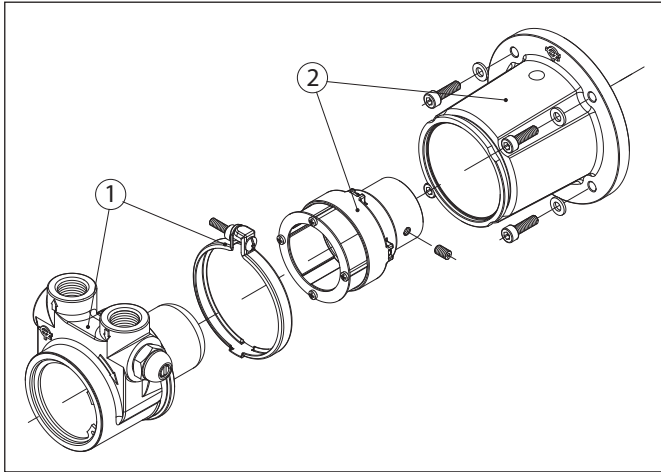
- Cooling systems
- Booster systems
- Water treatment
- Solar systems

TECHNICAL INFORMATION

Pump housing material	Brass or stainless steel	Speed limit	1725 rpm
Pumping chamber	Carbon graphite	Max static pressure	20 bar/290 psi
Ports	1/2" GAS or NPT	Pump weight	2.1 kg (4.6 lb)

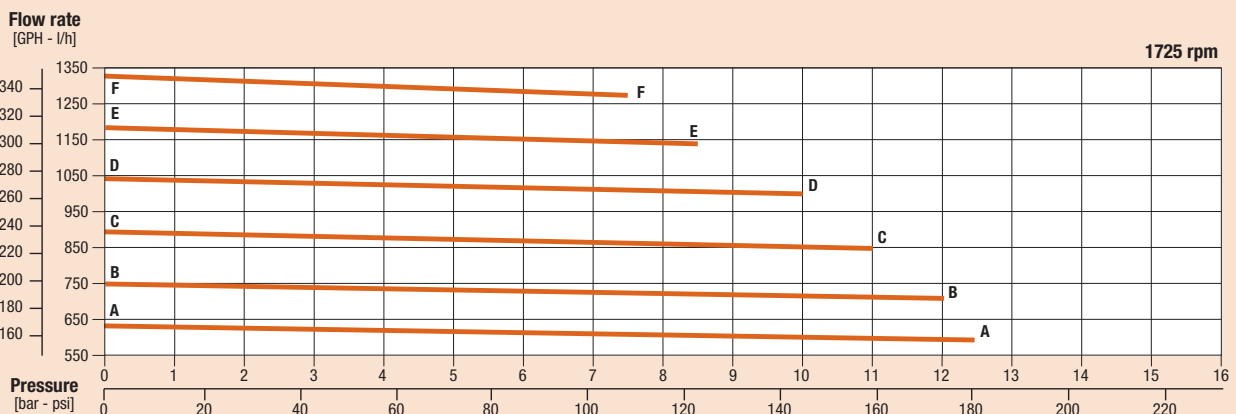
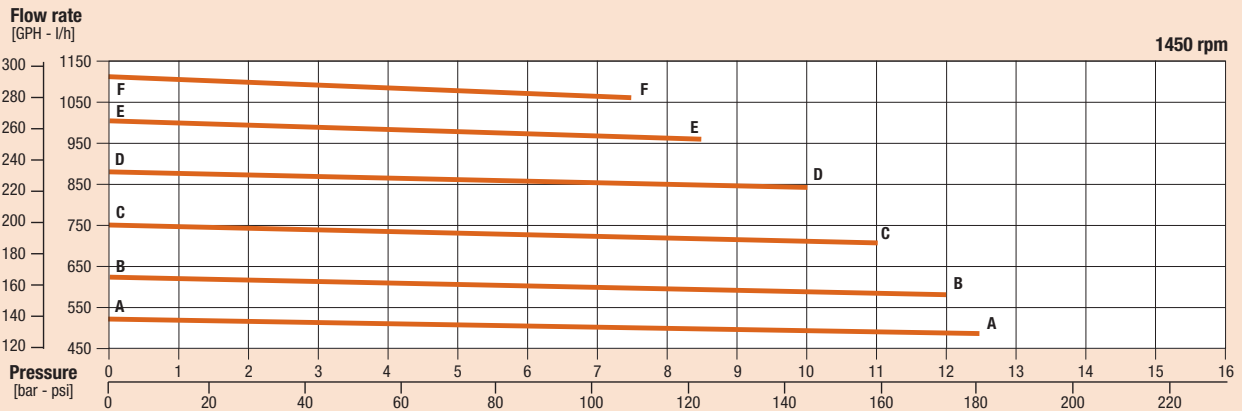


Brass and stainless steel magnet drive rotary vane pumps TH 500-1000 series



POS	DESCRIPTION	CODE
1	TH series pump	
2	M80-B14 frame motor mounting assembly	THBS80C
	NEMA 56C frame motor mounting assembly	THBS5BC

MODEL	RELIEF VALVE	HOUSING	FIGURE
THSS500A	NO	STAINLESS STEEL	A-A
THSS600A			B-B
THSS700A			C-C
THSS800A			D-D
THSS900A			E-E
THSS1000A			F-F
THSS501A	STANDARD	STAINLESS STEEL	A-A
THSS601A			B-B
THSS701A			C-C
THSS801A			D-D
THSS901A			E-E
THSS1001A			F-F
THOT500A	NO	BRASS	A-A
THOT600A			B-B
THOT700A			C-C
THOT800A			D-D
THOT900A			E-E
THOT1000A			F-F
THOT501A	STANDARD	BRASS	A-A
THOT601A			B-B
THOT701A			C-C
THOT801A			D-D
THOT901A			E-E
THOT1001A			F-F



Note: Characteristics with water at 20 °C (68 F) and without bypass - Use filter before pump inlet not larger than 20 microns.
For applications involving other fluids, high temperatures, unusual processing conditions or speed higher than 1725 rpm consult the factory or an authorized Fluid-o-Tech distributor.