

Brass and stainless steel rotary vane pumps PO 500-1000 series

The high volume rotary vane pumps manufactured by Fluid-o-Tech® and sold worldwide under the trademark Rotoflow® are available in six flow ratings to meet the needs of high volume pumping.

Technical features and manufacturing characteristics

The rotary vane pump with brass or stainless steel body utilizes a stainless steel AISI 303 rotor, while the pumping chamber and the vanes are in carbon graphite. Inlet and outlet ports are 1/2" GAS or NPT threaded and the pump could be equipped with a built-in adjustable relief valve. The pump can be connected to coupling direct motor with a metallic clamp or to M71 and M80 UNELMEC frame motors with the Fluid-o-Tech® coupling and adapter set. Maximum operative temperature: 70 °C (158 F)

Available upon request:

- Viton®/EPDM seals
- Built-in relief valve
- Flange mount
- California AB 1953 compliant brass



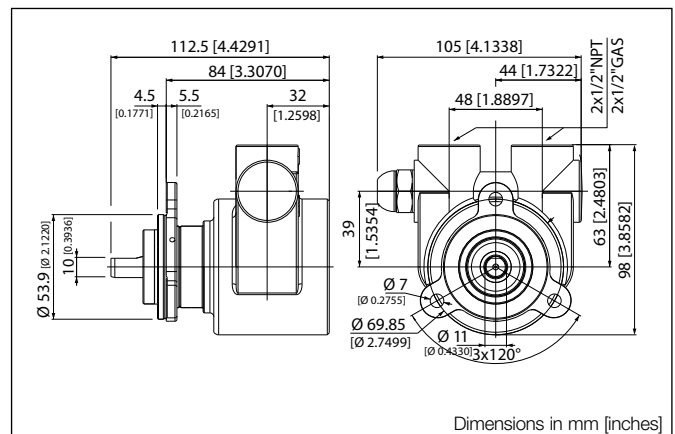
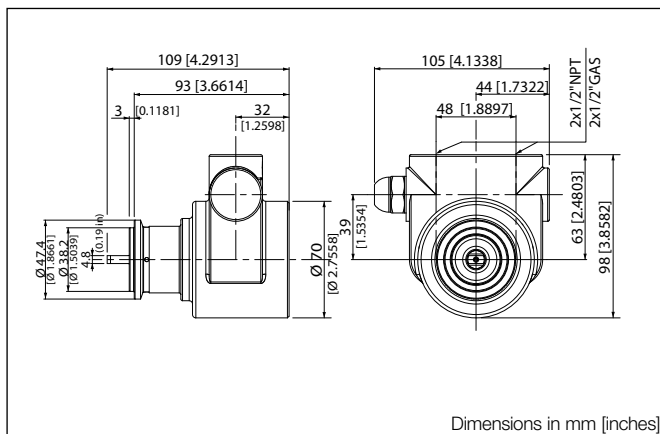
MAIN APPLICATIONS

- Post mix drink dispensers
- Water treatment
- Cooling systems
- Booster systems



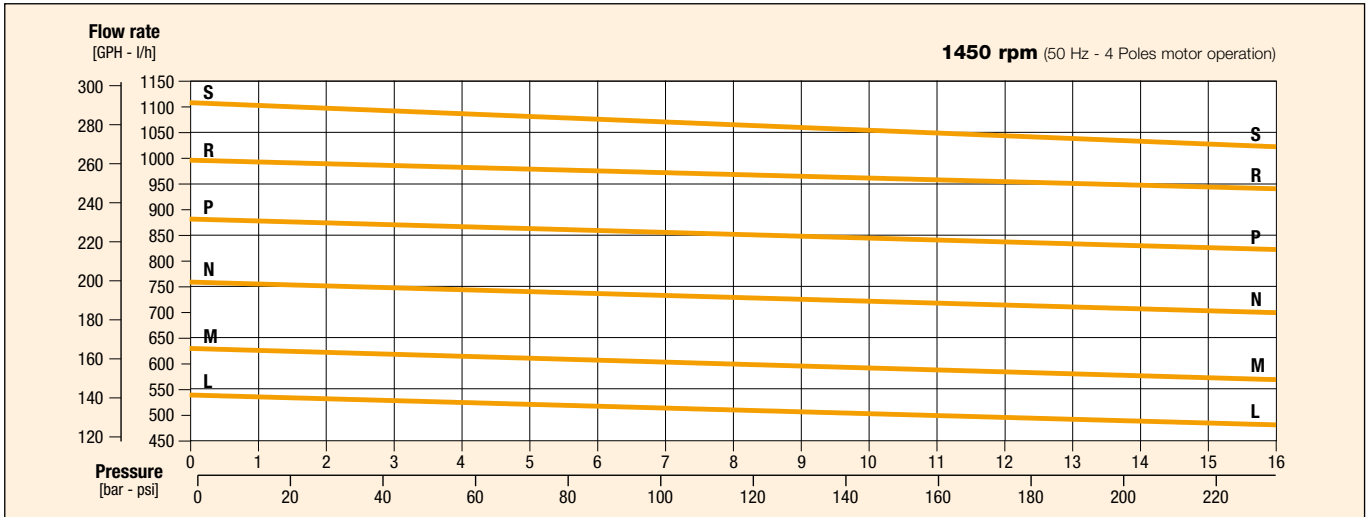
TECHNICAL INFORMATION

| | | | |
|-----------------------|--------------------------|---------------------|---|
| Pump housing material | Brass or stainless steel | Max static pressure | 20 bar/290 psi |
| Pumping chamber | Carbon graphite | Pump weight | Clamp mount 1.9 kg (4.2 lb) Flange mount 2 Kg (4.4 lb) |
| Ports | 1/2" GAS or NPT | | |
| Speed limit | 1725 rpm | | |

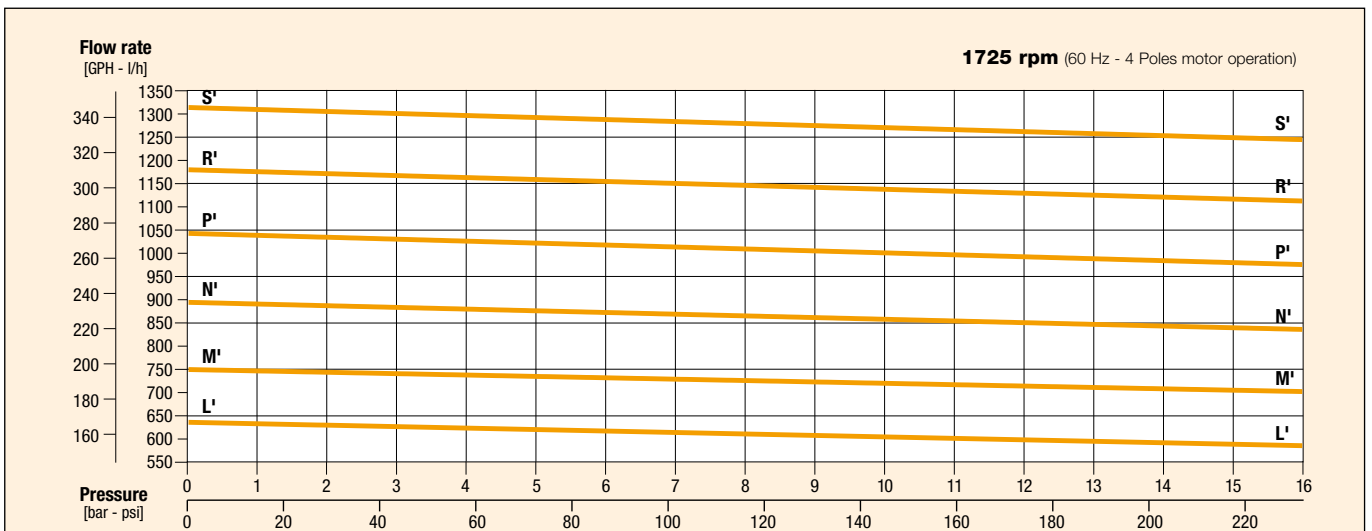


Brass and stainless steel rotary vane pumps PO 500-1000 series

| Model PO/PA/PW Brass | 500 | 501 | 500F | 501F | 600 | 601 | 600F | 601F | 700 | 701 | 700F | 701F | 800 | 801 | 800F | 801F | 900 | 901 | 900F | 901F | 1000 | 1001 | 1000F | 1001F | | | | | | |
|-----------------------------------|-----|-----|------|------|-----|-----|------|------|-----|-----|------|------|-----|-----|------|------|-----|-----|------|------|------|------|-------|-------|--|--|-----|--|--|--|
| Model PO/PA/PW Stainless Steel | 510 | 511 | 510F | 511F | 610 | 611 | 610F | 611F | 710 | 711 | 710F | 711F | 810 | 811 | 810F | 811F | 910 | 911 | 910F | 911F | 1010 | 1011 | 1010F | 1011F | | | | | | |
| Figure | | L-L | | | | | M-M | | | | | N-N | | | | | P-P | | | | | R-R | | | | | S-S | | | |
| Relief valve | NO | YES | NO | YES | NO | YES | NO | YES | NO | YES | NO | YES | NO | YES | NO | YES | NO | YES | NO | YES | NO | YES | NO | YES | | | | | | |
| Flange mount | NO | NO | YES | YES | NO | NO | YES | YES | NO | NO | YES | YES | NO | NO | YES | YES | NO | NO | YES | YES | NO | NO | YES | YES | | | | | | |
| Clamp mount | YES | YES | NO | NO | YES | YES | NO | NO | YES | YES | NO | NO | YES | YES | NO | NO | YES | YES | NO | NO | YES | YES | NO | NO | | | | | | |



| Model PO/PA/PW Brass | 500 | 501 | 500F | 501F | 600 | 601 | 600F | 601F | 700 | 701 | 700F | 701F | 800 | 801 | 800F | 801F | 900 | 901 | 900F | 901F | 1000 | 1001 | 1000F | 1001F | | | | | | |
|-----------------------------------|-----|-------|------|------|-----|-----|-------|------|-----|-----|------|-------|-----|-----|------|------|-------|-----|------|------|------|-------|-------|-------|--|--|-------|--|--|--|
| Model PO/PA/PW Stainless Steel | 510 | 511 | 510F | 511F | 610 | 611 | 610F | 611F | 710 | 711 | 710F | 711F | 810 | 811 | 810F | 811F | 910 | 911 | 910F | 911F | 1010 | 1011 | 1010F | 1011F | | | | | | |
| Figure | | L'-L' | | | | | M'-M' | | | | | N'-N' | | | | | P'-P' | | | | | R'-R' | | | | | S'-S' | | | |
| Relief valve | NO | YES | NO | YES | NO | YES | NO | YES | NO | YES | NO | YES | NO | YES | NO | YES | NO | YES | NO | YES | NO | YES | NO | YES | | | | | | |
| Flange mount | NO | NO | YES | YES | NO | NO | YES | YES | NO | NO | YES | YES | NO | NO | YES | YES | NO | NO | YES | YES | NO | NO | YES | YES | | | | | | |
| Clamp mount | YES | YES | NO | NO | YES | YES | NO | NO | YES | YES | NO | NO | YES | YES | NO | NO | YES | YES | NO | NO | YES | YES | NO | NO | | | | | | |



Note: Characteristics at constant motor speed, with water at 20 °C (68 F) and bypass blocked - Figures of flow are averages.
For applications involving other fluids, high temperatures or unusual processing conditions, please consult the factory or an authorized Fluid-o-Tech distributor.